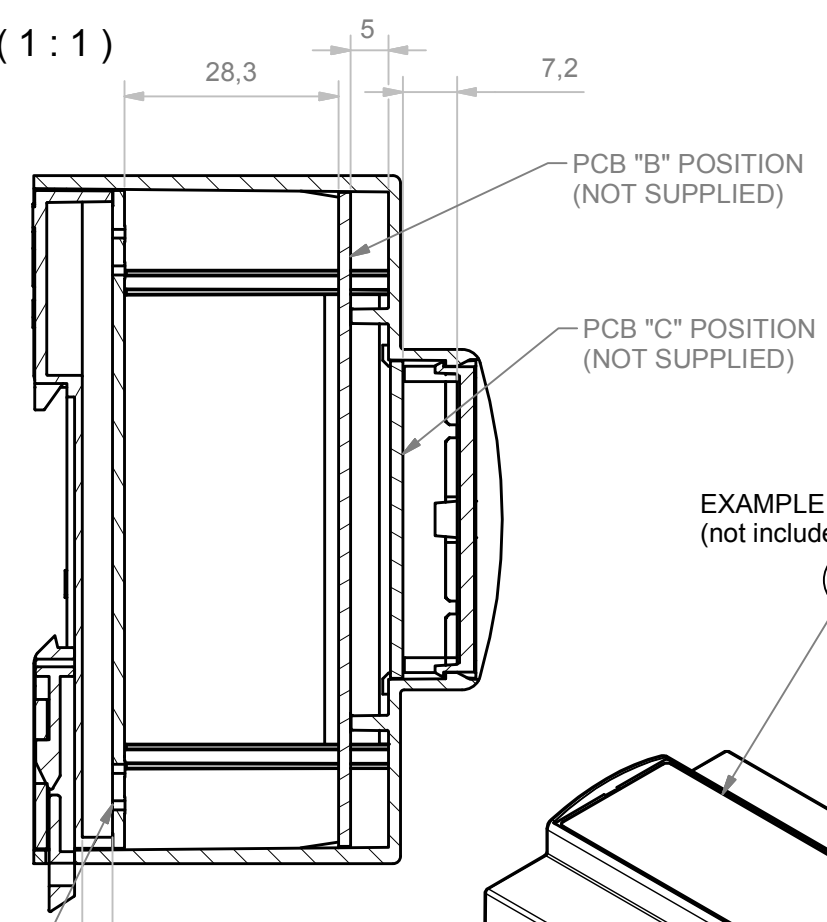
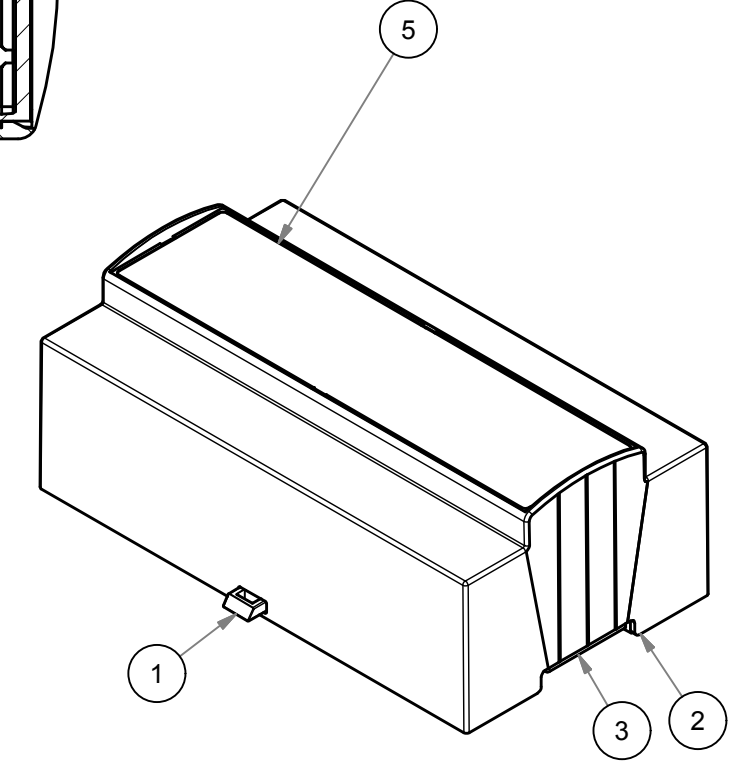


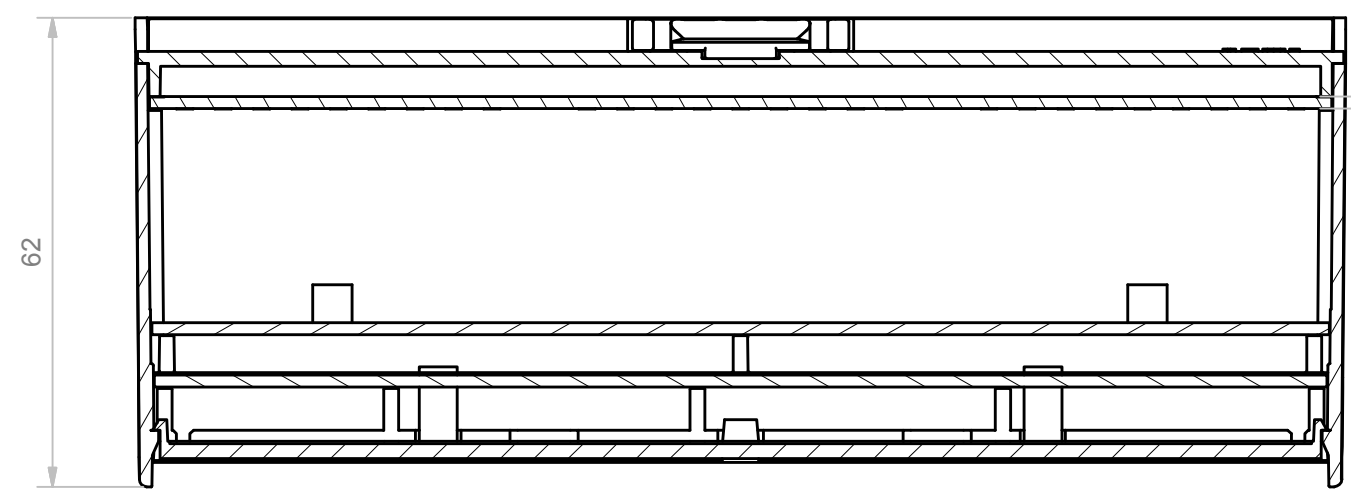
A-A (1:1)



EXAMPLE OF ACCESSORY (not included in kyt)



B-B (1:1)



BOARD THICKNESS TYP

RIF.	Q.TY	DESCRIPTION	CODE
1	1	AGGANCIAMENTO MODULARE LUNGO	2.250.00072
2	1	CORPO CONTENITORE MODULBOX XTS 9M53-C	M-02621-00
3	1	BASE 9M XT	M-01967
5	1	PANNELLO 9M CON CORNICE - PANEL 9M WITH FRAME	M-00342

RESERVED PROPERTY: The present drawing cannot be reproduced or communicated to 3d parties, even partially, without the authorization of ITALTRONIC Srl. Italtronic reserves to protect its own rights according to the law.				5	4	3	2	1
GENERAL TOLERANCE	UNI EN 22768/1 Media (m)	DRAWN BY	Dated:	Checked:	Revision description			
SHEET NR.	Dimension in mm		Fanin F.	Dalla Montà D.	Scale: 1:1			
1 / 1		Manual modification are not allowed	09/06/2016	Replace nr.	Part number:			

Denomination: **CONTENITORE COMPLETO MODULBOX XTS 9M53-C**
COMPLETE ENCLOSURE MODULBOX XTS 9M53-C

ITALTRONIC S.R.L.
 VIA AUSTRIA 25/D 35127 PADOVA - ITALY
 www.italtronic.com

Drawing nr. **M-04129-01**